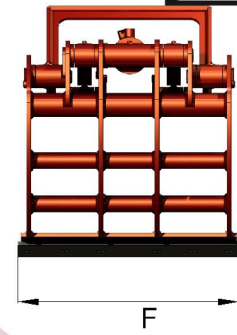
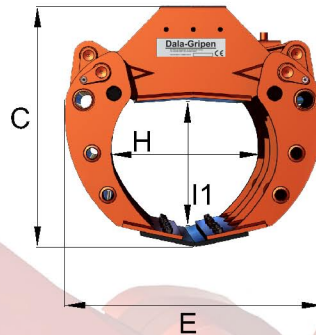
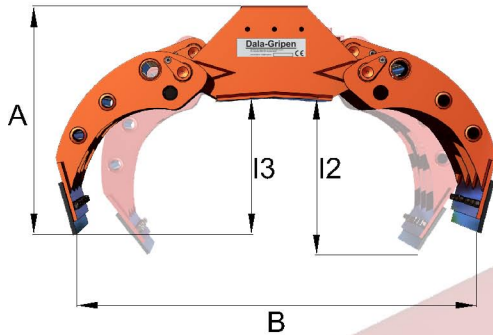


# Dala-Gripen

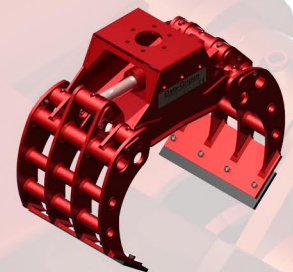
STEN/SORTERINGS GRIP  
STONE/RECYCLING GRABS

**HARDOX**  
IN MY BODY

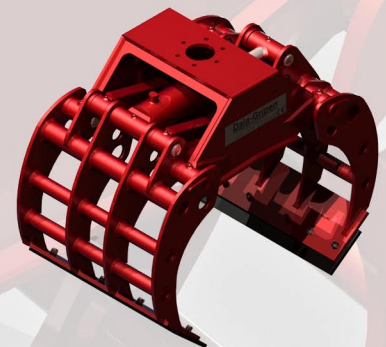


MODEL			DGS12	DGS20	DGS28	DGS35	DGS42
A	Height when open	mm	430	470	625	690	1195
B	Max opening	mm	835	1225	1545	1805	2170
C	Height closed	mm	452	610	800	890	1260
E	Length when closed	mm	552	640	825	945	1450
F	Max width	mm	322	395	530	780	1080
H	Gripping area width	mm	375	390	530	610	1045
I1	Gripping area height	mm	237	335	460	535	825
I2	Inside height opened 1 m	mm	-	325	500	610	965
I3	Inside height max opened	mm	221	210	300	340	780
Weight		kg	62	113	275	420	930
Max load		kg	1500	3000	3500	5000	5000
Max working pressure		Bar	230	250	350	350	350
Cylinder force		kN	45	78	175	275	332
Gripping force arms tip		kN	6,7	11	22,5	35	42
Opening time 70 l/min		s	0,16	0,28	0,7	1,1	1,6
Closing time 70 /min		s	0,24	0,48	0,9	1,6	2,3
Order code			DGS12	DGS20	DGS28	DGS35	DGS42

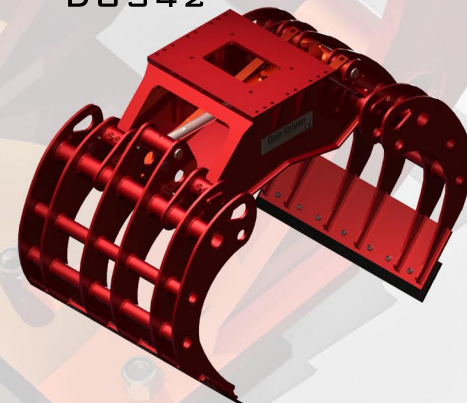
DGS 12/20/28



DGS 35



DGS 42



Sit Right AB  
Adress: Närsjövägen 36,  
SE-780 53 NÅS, Sweden  
e-post: mail@sit-right.se  
Telefon: 0281-300 30  
www.sit-right.se

**sitRIGHT**